

## WARNING APPLIANCE DOLLY

Any piece of equipment can be dangerous if not operated properly. **YOU** are responsible for the safe operation of this equipment. The operator must carefully read and follow any warnings, safety signs and instructions provided with or located on the equipment. Do not remove, defeat, deface or render inoperable any of the safety devices or warnings on this equipment. If any safety devices or warnings have been removed, defeated, defaced or rendered inoperable, **DO NOT USE THIS EQUIPMENT!!!**

**⚠ WARNING:** This product contains Chromium from steel products which are known to the State of California to cause cancer and birth defects or other reproductive harm. For more information go to [www.P65warnings.ca.gov](http://www.P65warnings.ca.gov)

**Always make sure your load is properly secured before moving.**

**Never allow anyone downhill of a loaded dolly, especially steps and stairs!**

**DANGER: This equipment has multiple pinch points that can cause dismemberment or death. Keep hands, feet and all other body parts clear at all times. Operate from designed location only.**

### IMPORTANT SAFETY RULES TO FOLLOW

1. Never try to move an item that exceeds your strength. Never move an item that exceeds weight capacity of dolly.
2. Be extremely careful up or down inclines.
3. Do not allow the load to lean back too far as this will place too much strain on the operator. Do not allow load to become top heavy or unbalanced.
4. Be careful of slippery footing.
5. When moving items up or down stairs, do not have a second person at the bottom of the appliance dolly.
6. Whenever possible, have a helper.
7. Survey your path first for obstacles, your ability to maneuver a loaded dolly is difficult if your vision is obscured.
8. Certain floors can be damaged by the wheels when heavy loads are moved.

If the person receiving this handout will not be the user of the equipment, forward these instructions to the operator. If there is any doubt as to the operation or safety of the equipment,

**DO NOT USE!!! CALL A TOOL SHED IMMEDIATELY!!!**

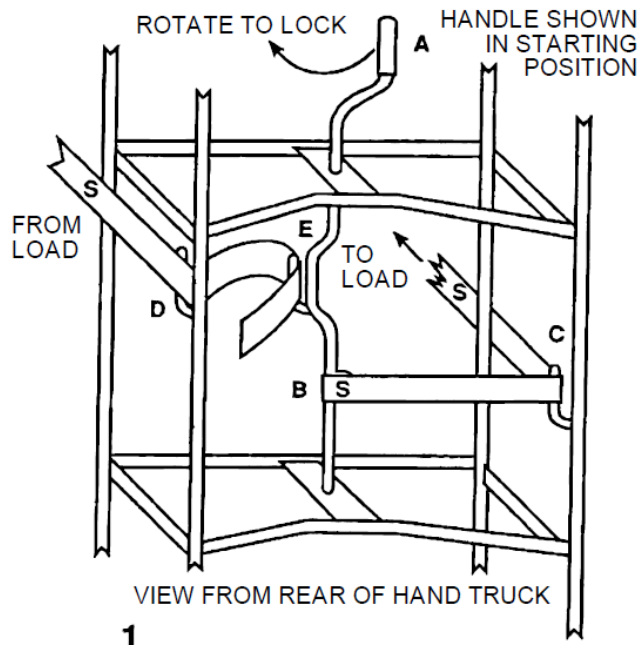
**FAILURE TO FOLLOW THESE INSTRUCTIONS COULD RESULT IN INJURY OR DEATH**

# Dutro

COMPANY

## OFFSET OPERATING INSTRUCTIONS

1. Stand behind hand truck.
2. Rotate handle (A) counter-clockwise.
3. Rotate strap (S) from its point of attachment (B), around the hook (C) and around the load.
4. From the load, run the strap around the hook (D) and around the hook (E) on the crank (Note that the end of the strap is toward the operator)
5. Pull out the slack; rotate the handle (A) clockwise to the left. Adjust the tension on the strap to allow the crank to turn and snap into locked position.



Note: When using an Appliance dolly with a ratcheting type strapping system: please view the video for the 1400 Ratchet Demo at <https://dutro.com/instructions/>